

AUA

BULLET

Mounting guide



Important warnings and safety instructions

- ✗ **Avoid** exposing the camera to shocks, high pressure or temperatures above 50°C.
- ✗ **Avoid** placing the camera near fans, ventilation or other noise sources. This will degrade audio performance.
- ✗ **Avoid** scratching or leaving fingerprints on the lens cover, this degrades image quality. If possible, keep the protective plastic on the lens cover during installation.
- ✗ **Do not** clean the camera with harsh detergents, gasoline or chemicals such as Acetone.
- ✗ **Do not** try to repair the unit yourself. Refer all servicing of the camera to Ava or contact a reseller.
- ! This product should be supplied by a Power over Ethernet (PoE) Power Sourcing Equipment (PSE) compliant to IEEE 802.3af. The PSE should be UL listed and marked "Limited Power Source" or "LPS". The output should be rated 48V and 12W minimum from the connected port.
- ! The camera and the PoE PSE must be installed within the same building, as described by Environment A of the IEEE 802.3af standard. The PoE PSE must be properly grounded.

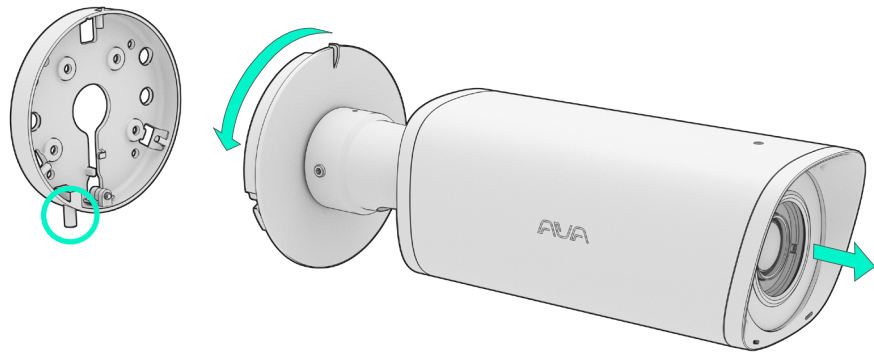
Box content

AVA

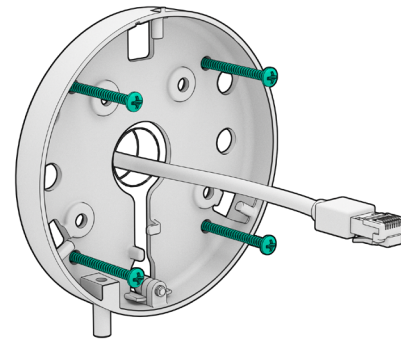


Using the wall bracket

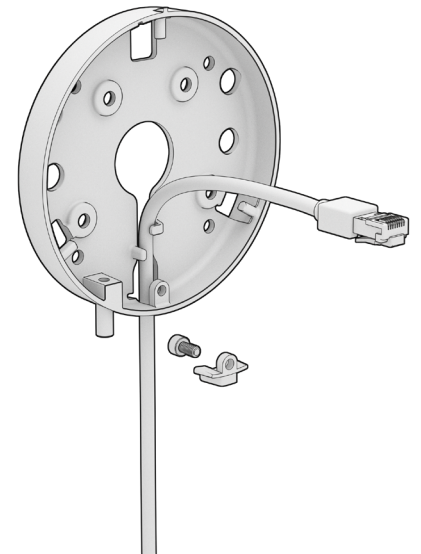
1



2A



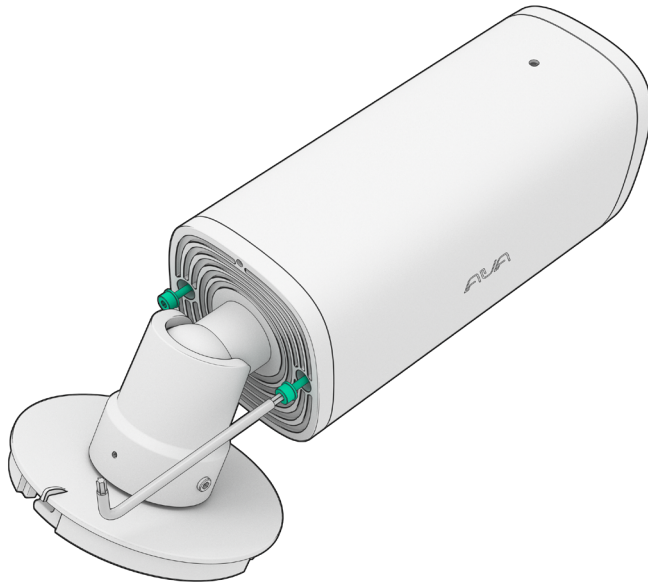
2B



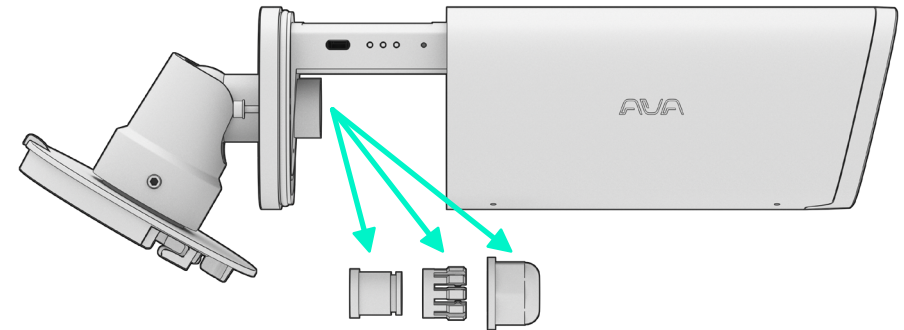
Screws are not included. The installer must use suitable fasteners.

Opening the housing and removing cable gland

3



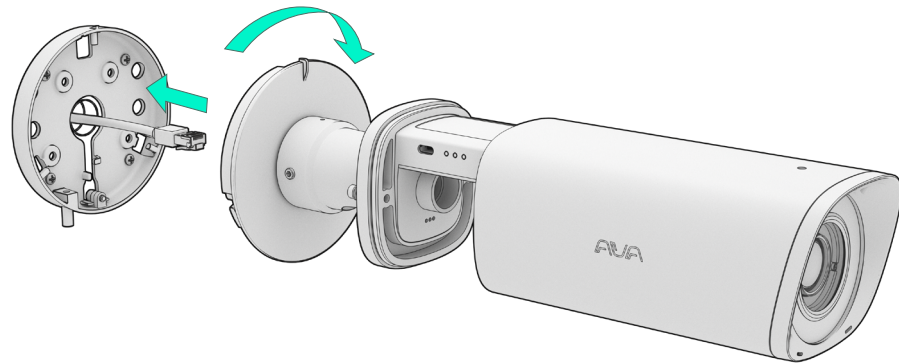
4



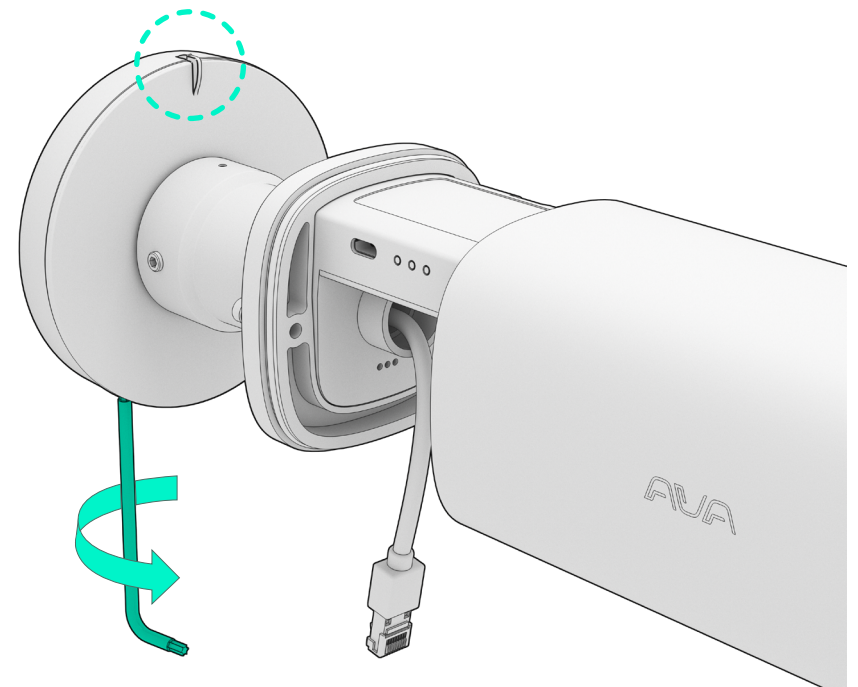
It's easier to access the screws when the ball joint is moved to an angle.

Installing the camera on to the wall bracket

5

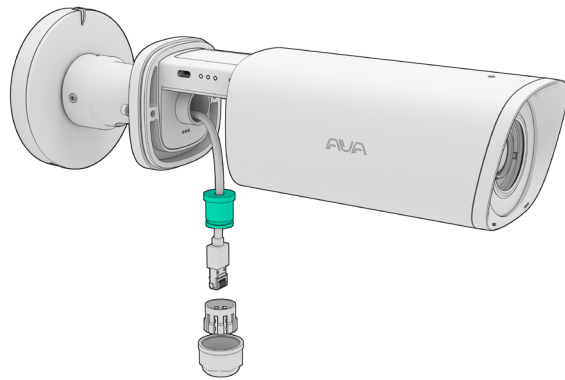


6



Installing cable gland and connecting ethernet cable

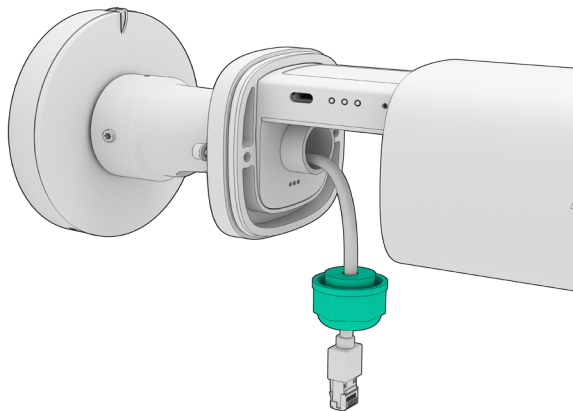
7



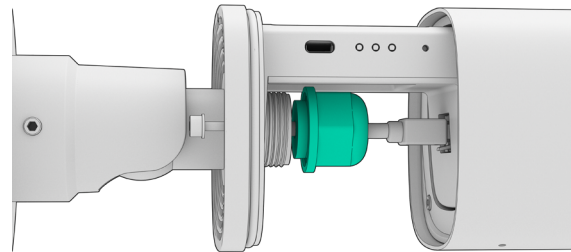
8



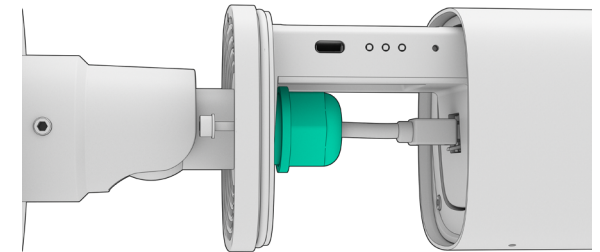
9



10



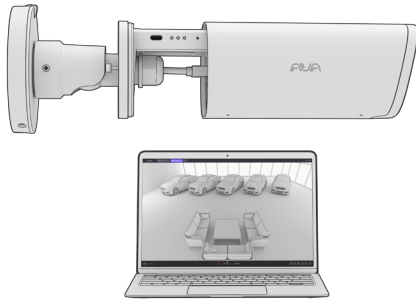
11



Connect the camera and adjust the picture

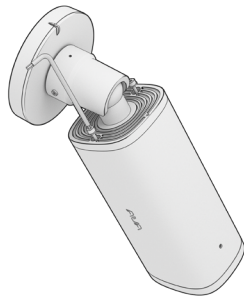
12

Add the Camera to Ava Aware and ensure that the video stream is working.



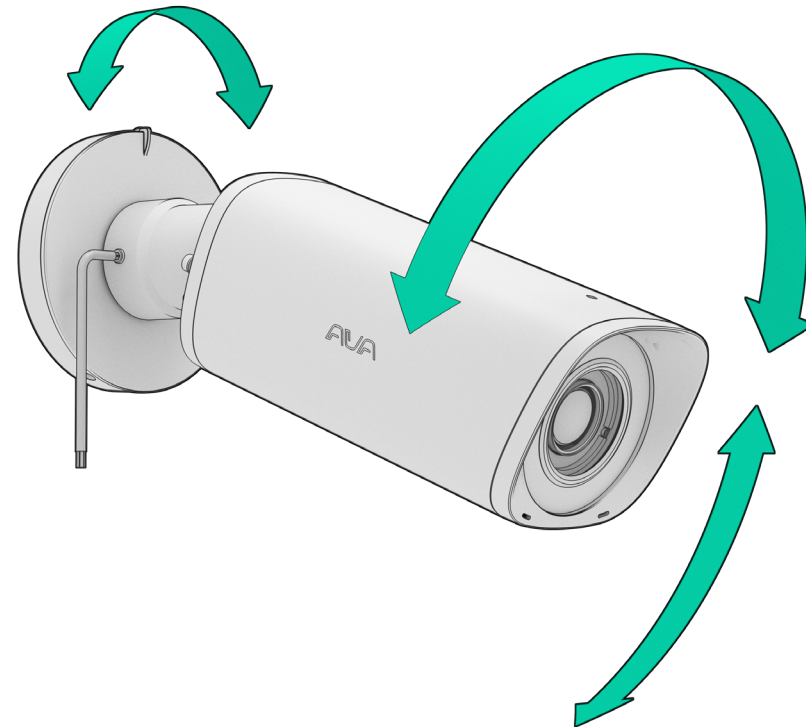
13

Close the camera and tighten the two screws on the rear cover.

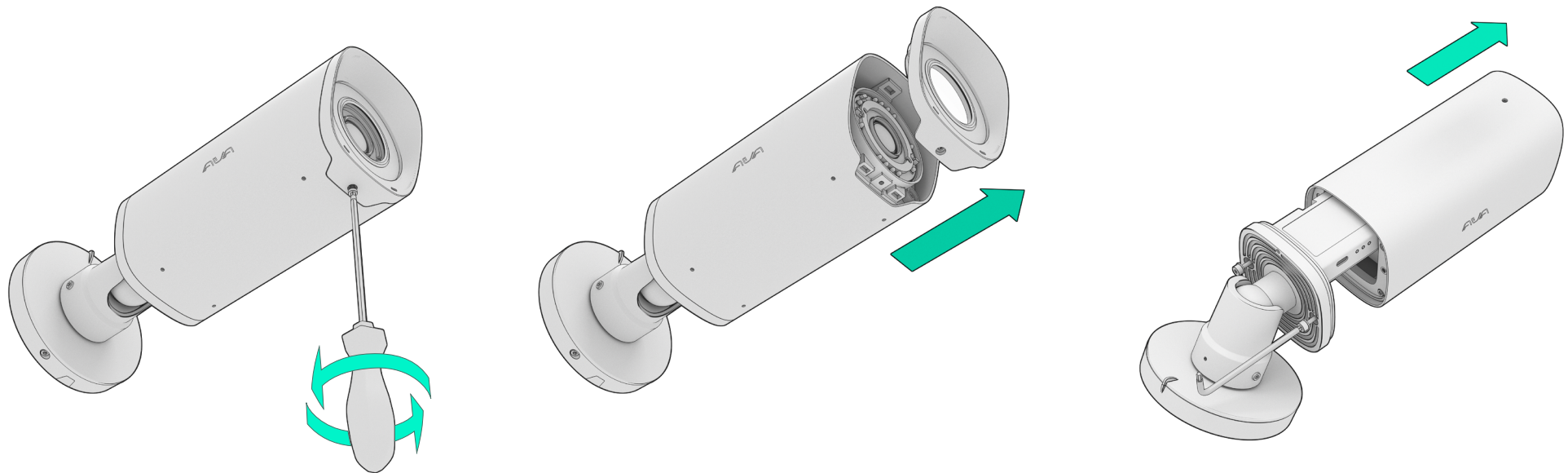


14

When the correct position is obtained, firmly tighten the screws (3-4Nm) to lock the position.

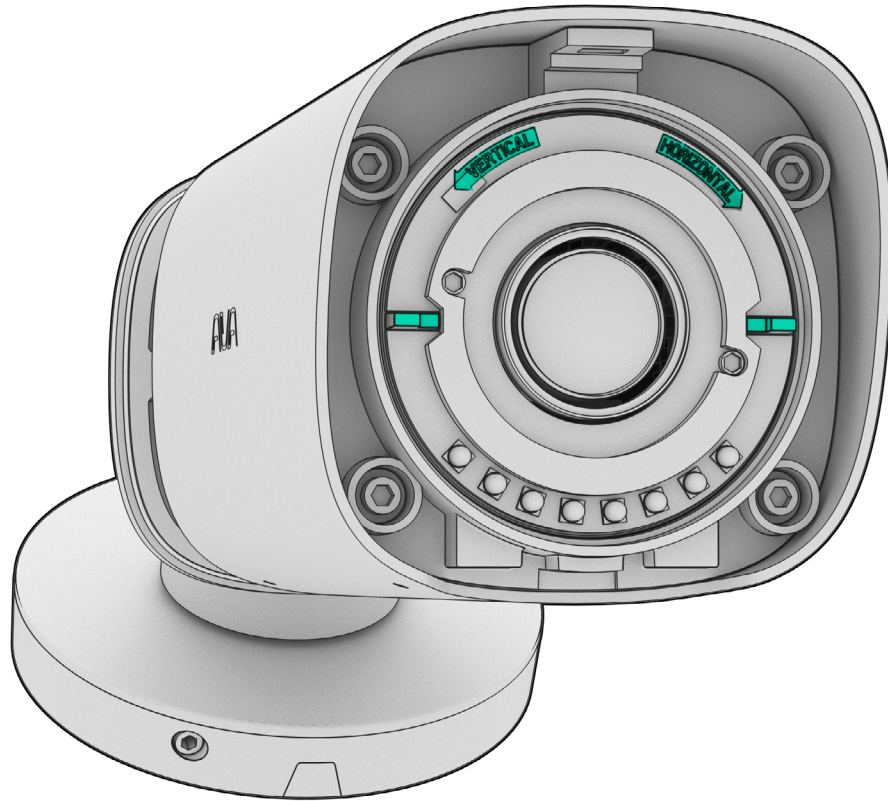


Change lens orientation, horizontal (16:9) - vertical (9:16)

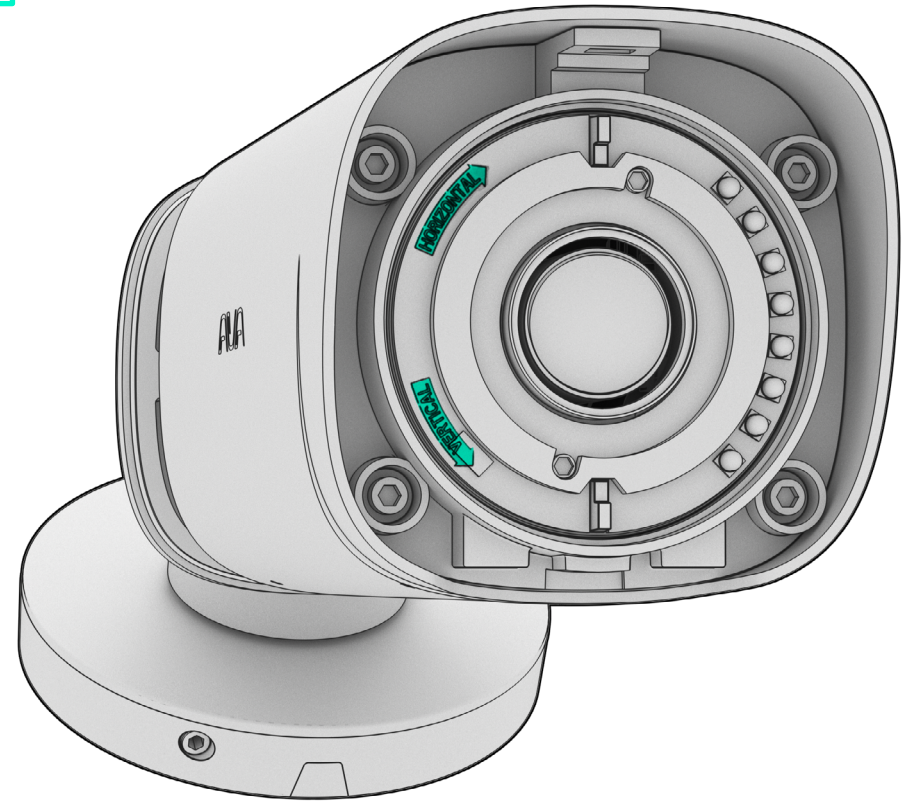


Change lens orientation, horizontal (16:9) - vertical (9:16)

 HORIZONTAL



 VERTICAL



Ensure the camera body has been opened before attempting to rotate the lens