

Point sensors

Description

Arcteq has developed different types of arc sensors that can be used with different AQ 100 series devices. They are all compatible with different types of switchgear according to the specific application requirements. The available sensor types are arc light point sensors (AQ-01 and AQ-02) and arc light fiber optic loop sensors (AQ-06, AQ-07 and AQ-08).



There are two types of point sensors: AQ-01 is a light point sensor, while AQ-02 is a light and pressure point sensor.

Both types come with three options for their light intensity thresholds:

- 8,000 lux (ordering code: A)
- 25,000 lux (ordering code: B)
- 50,000 lux (ordering code: C)

Technical data

AQ-01 LIGHT POINT SENSOR

Light intensity threshold: 8,000...50,000 lx

Pick-up time: <1 ms

Detection radius: 180 degrees

Mechanical protection: IP 20

Wiring arrangement: standard shielded twisted pair 0.75 mm² (AWG:18)

Maximum sensor cable length (per channel): 200 meters

Operating temperature: -20...+85 °C

A maximum of three sensors connected in series

AQ-02 LIGHT AND PRESSURE POINT SENSOR

Light intensity threshold: 8,000...50,000 lx

Pressure threshold: 0.2 bar above ambient pressure

Pressure measuring accuracy: ±1.8 % (of full scale)

Pick-up time: <1 ms

Detection radius: 180 degrees

Mechanical protection: IP 20

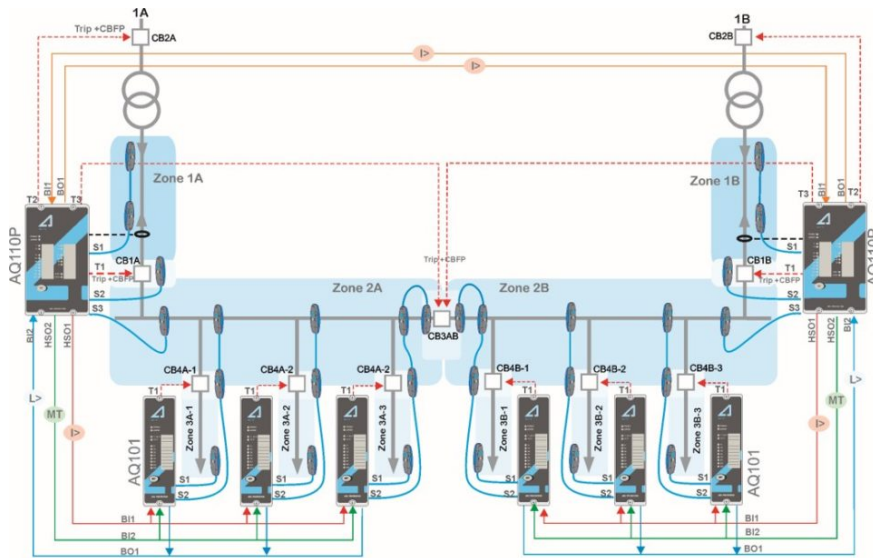
Wiring arrangement: standard shielded twisted pair 0.75 mm² (AWG: 18)

Maximum sensor cable length (per channel): 200 meters

Operating temperature: -20...+85 °C

A maximum of three sensors connected in series

Application Drawing



Scheme Ila1.cdr