

DS-1280ZJ-DE7

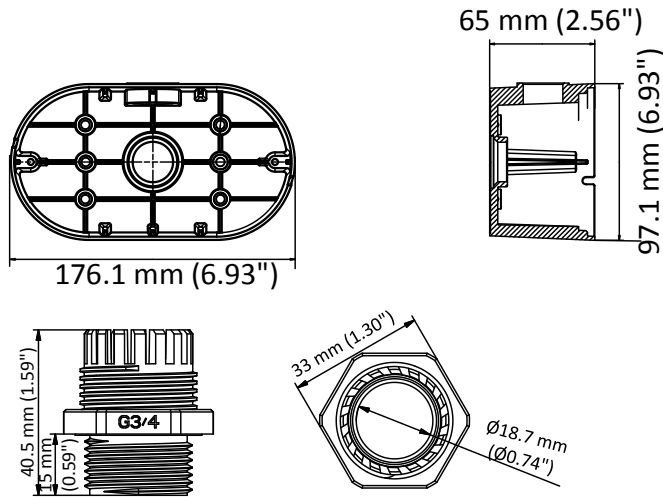
Junction Box



Features

- Aluminum alloy material
- Applies to the dual-lens network camera

Dimension



Available Model

DS-1280ZJ-DE7

Parameter

Model	DS-1280ZJ-DE7
Parameters	Junction Box
Material	Aluminum Alloy
Dimension	176.1 mm × 123.7 mm × 65 mm (6.93" × 4.87" × 2.56")
Weight	Approx. 385 g (0.85 lb.)
Appearance	Hikvision White